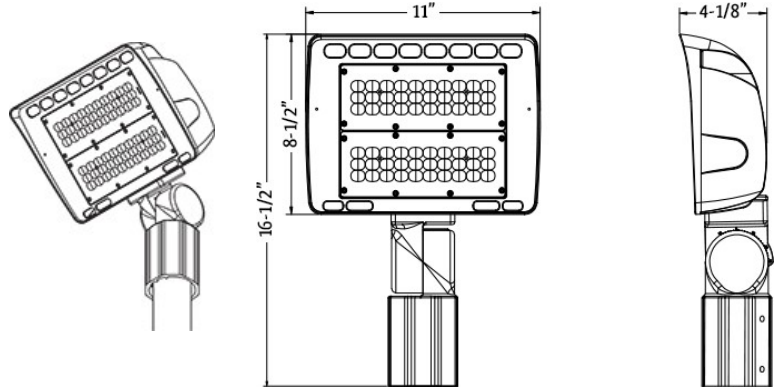




**LF4-100CW-SF**  
**LF4-100WW-SF**

**DIMENSIONS:**

16-1/2"(H) x 11"(W) x 4-1/8"(D)



**LF4 ARCHITECTURAL SERIES LED FLOOD LIGHT  
WITH SLIP FITTER**

| MODEL        | WATTS | VOLTAGE     | LUMENS   | COLOR TEMP |
|--------------|-------|-------------|----------|------------|
| LF4-100CW-SF | 100W  | 120~277V AC | 11200 LM | 5000K      |
| LF4-100WW-SF | 100W  | 120~277V AC | 11200 LM | 3000K      |

Ideal for general site lighting, alleys, loading docks, doorway, pathway and parking areas. Great for use with motion sensors or other instant on/off controls.

**ELECTRICAL SPECIFICATIONS:**

- Voltage: 120-277VAC 50/60Hz
- Wattage: 100W
- Input current: 1.5A Max
- Other wattages: 80W, 150W
- Power factor: >0.95
- Efficacy: 115LM/W

**LIGHTING SPECIFICATIONS:**

- Dimmable: 0~10V Dimmable
- LED type/brand: Lumileds LEDs / SMD 3030
- Total lumens: 11200LM
- Color temperature: 3000K / 5000K
- Color rendering index: >82
- Beam angle: 90° x 120°

**WARRANTY: 7 years**

**HOUSING SPECIFICATIONS:**

- Die-cast aluminum with powder coat finish (Dark Bronze)
- Operating temperature: -40°F ~ 104°F
- Lifespan: 70000 Hrs.
- IP rating: IP65, Wet Locations
- High light transmittance, anti-UV & fire resistant PC lens

**CERTIFICATIONS: UL, DLC**



**LF4-100CW-SF**  
**LF4-100WW-SF**

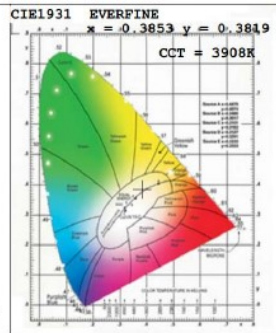
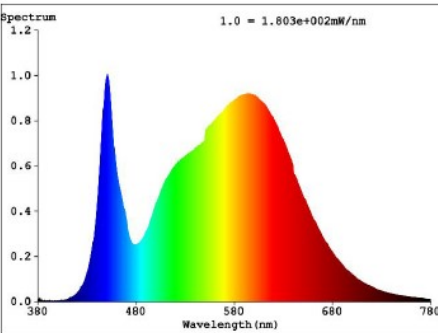
**LF4 ARCHITECTURAL SERIES LED FLOOD LIGHT  
 WITH SLIP FITTER**

| MODEL        | WATTS | VOLTAGE     | LUMENS   | COLOR TEMP |
|--------------|-------|-------------|----------|------------|
| LF4-100CW-SF | 100W  | 120~277V AC | 11200 LM | 5000K      |
| LF4-100WW-SF | 100W  | 120~277V AC | 11200 LM | 3000K      |

**CERTIFICATIONS: UL, DLC**



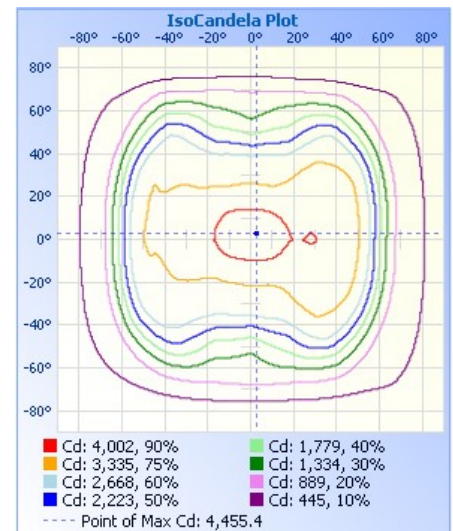
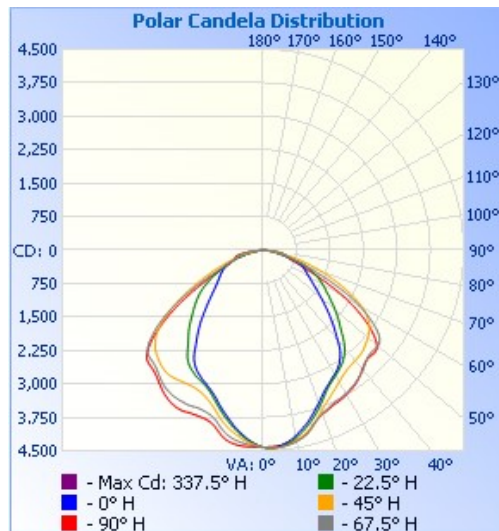
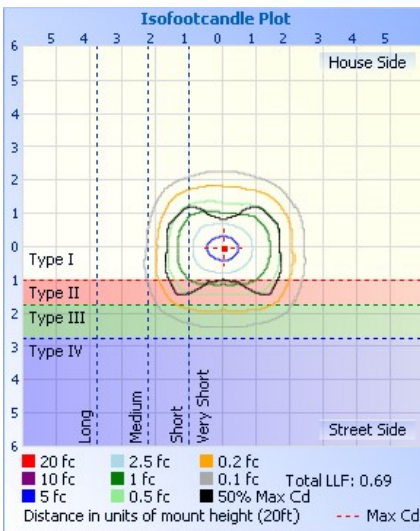
**PHOTOMETRICS:**



**Illuminance at a Distance**

| Center Beam fc | Beam Width |                   |
|----------------|------------|-------------------|
| 17.0ft         | 15.29 fc   | 31.2 ft 55.4 ft   |
| 34.0ft         | 3.82 fc    | 62.5 ft 110.8 ft  |
| 51.0ft         | 1.70 fc    | 93.7 ft 166.2 ft  |
| 68.0ft         | 0.96 fc    | 124.9 ft 221.6 ft |
| 85.0ft         | 0.61 fc    | 156.1 ft 277.0 ft |
| 102.0ft        | 0.42 fc    | 187.4 ft 332.4 ft |

■ Vert. Spread: 85.1°  
 ■ Horiz. Spread: 116.9°



Rev. 2020-11-20

